



**Pali Design, Inc.**

1525 Hymus Boul.

Dorval, QC

H9P-1J5 Canada

Phone: 1-514-421-0309

customerservice@pali-design.com

www.pali-design.com

# Assembly Instructions

## Trieste Hutch

### Hardware List:

<b>A</b> KD Screw (30 mm)  <b>8x</b>	<b>B</b> Spring Washer  <b>8x</b>	<b>C</b> Cam Lock Bolt  <b>6x</b>	
<b>D</b> Cam Lock  <b>6x</b>	<b>E</b> Shelf Pin  <b>8x</b>	<b>F</b> Panhead Screw  <b>32x</b>	<b>G</b> Flathead Screw  <b>8x</b>
<b>H</b> Panhead Screw  <b>2x</b>	<b>I</b> Allen Key  <b>1x</b>	<b>Tools Needed for Assembly:</b> 	

### INSTRUCTION LEAFLET

*Important, keep for future reference. Read carefully.*

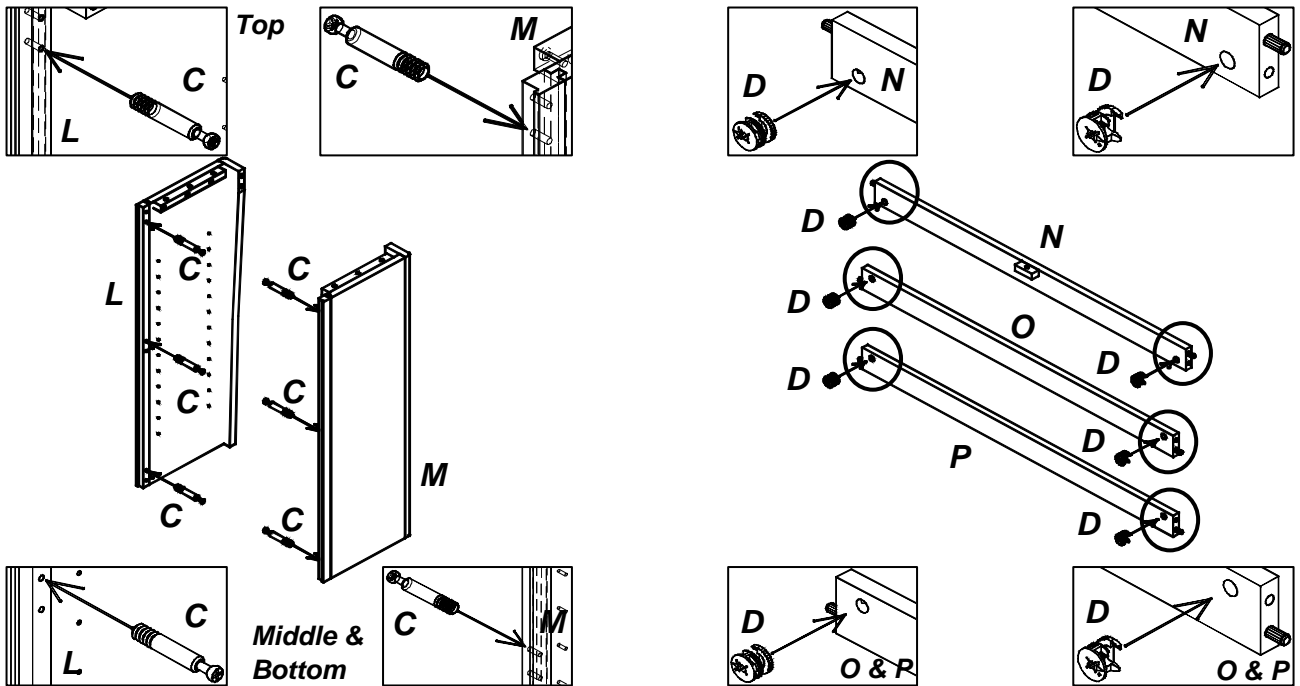
**IMPORTANT:** In order to properly assemble the furniture, carry out the operations in the order specified. Failure to assemble the furniture in the manner recommended could make the furniture hazardous. Carefully remove and lay out all parts. Familiarize yourself with all diagrams to facilitate the assembly of your furniture. Check parts enclosed in hardware bag with the HARDWARE PARTS LIST to be sure all are included and quantities are correct.

### Hutch Parts List:

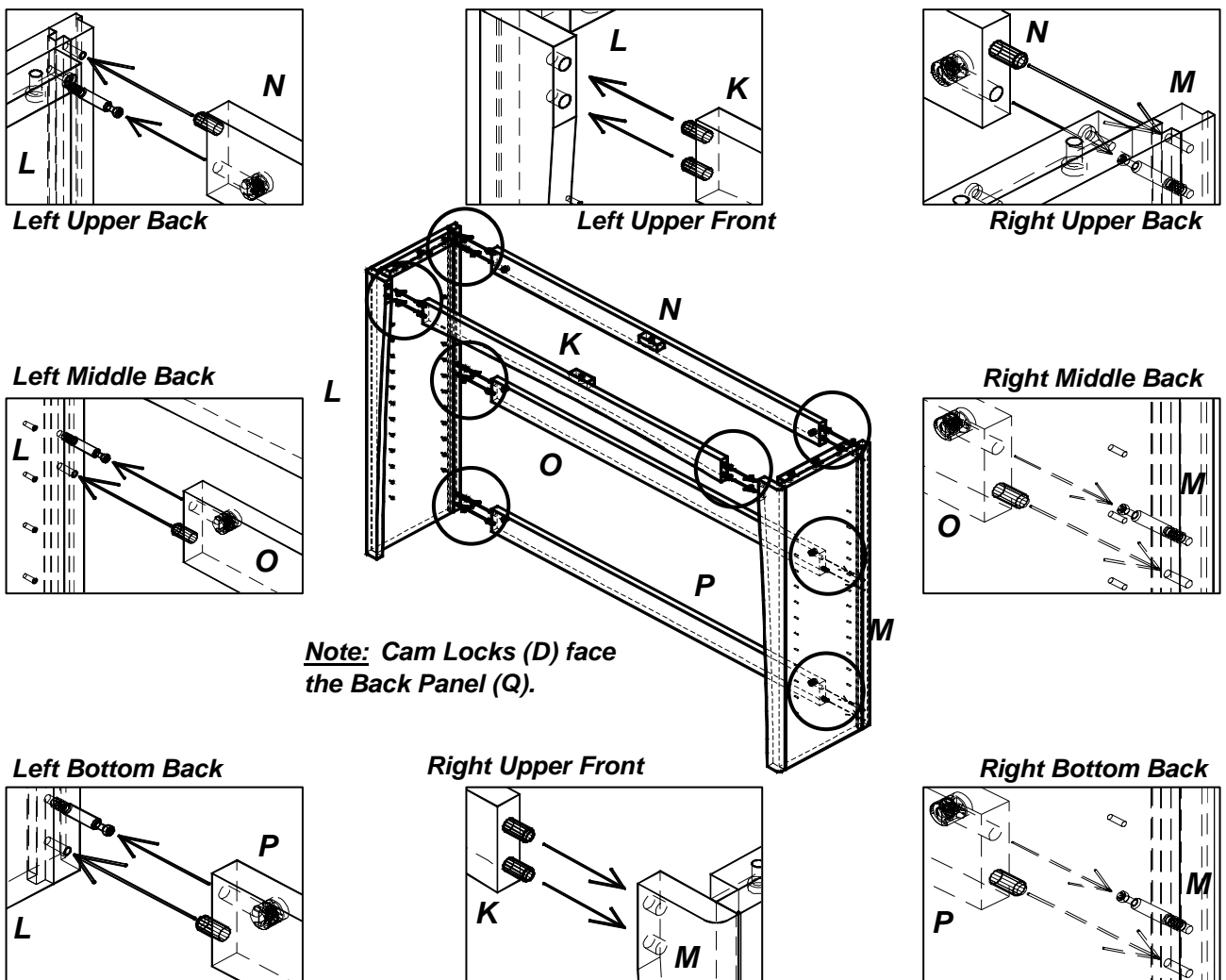
**Adult assembly is required.**

<b>J</b> Top  <b>1x</b>	<b>K</b> Upper Front Support  <b>1x</b>	<b>L</b> Left Side Panel  <b>1x</b>
<b>M</b> Right Side Panel  <b>1x</b>	<b>N</b> Upper Back Support  <b>1x</b>	<b>O</b> Middle Back Support  <b>1x</b>
<b>P</b> Lower Back Support  <b>1x</b>	<b>Q</b> Back Panel  <b>2x</b>	<b>R</b> Shelf  <b>2x</b>

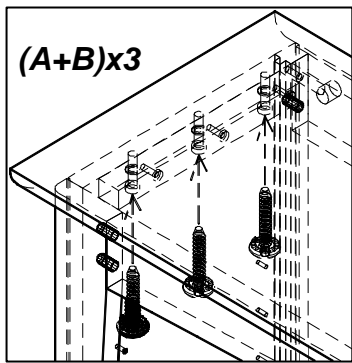
# Hutch **Step 1** Initial assembly



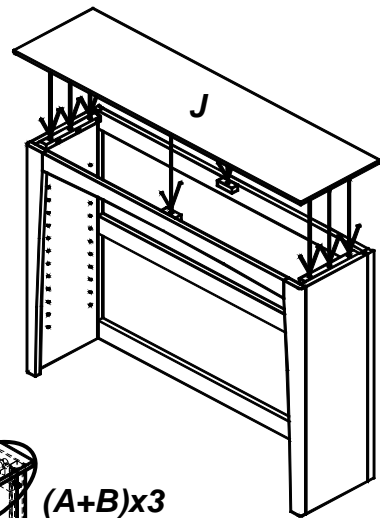
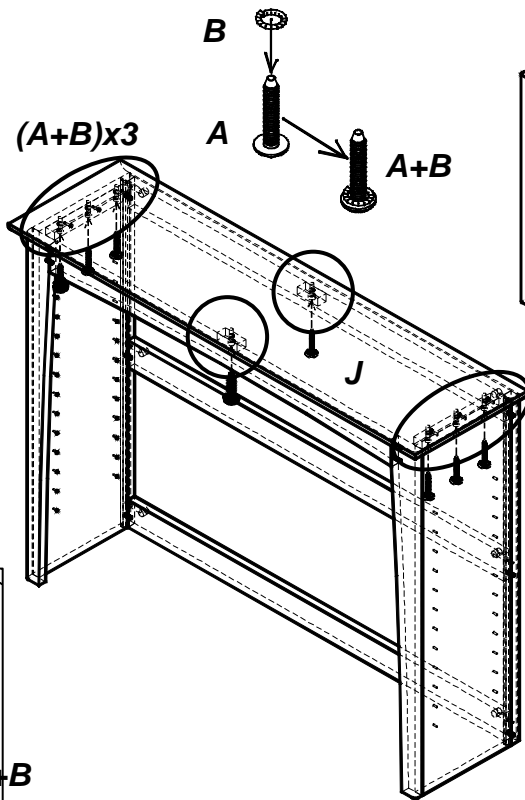
# Hutch **Step 2** Connecting side panels



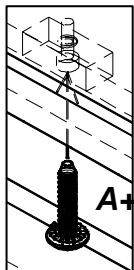
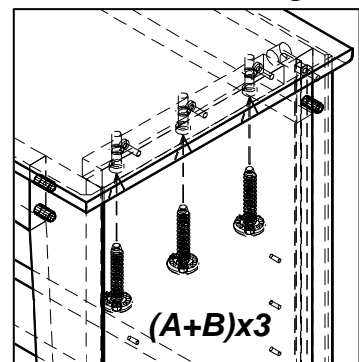
**Hutch** Step **3** Attaching top



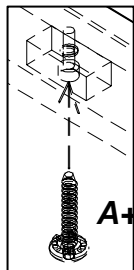
Left



Right

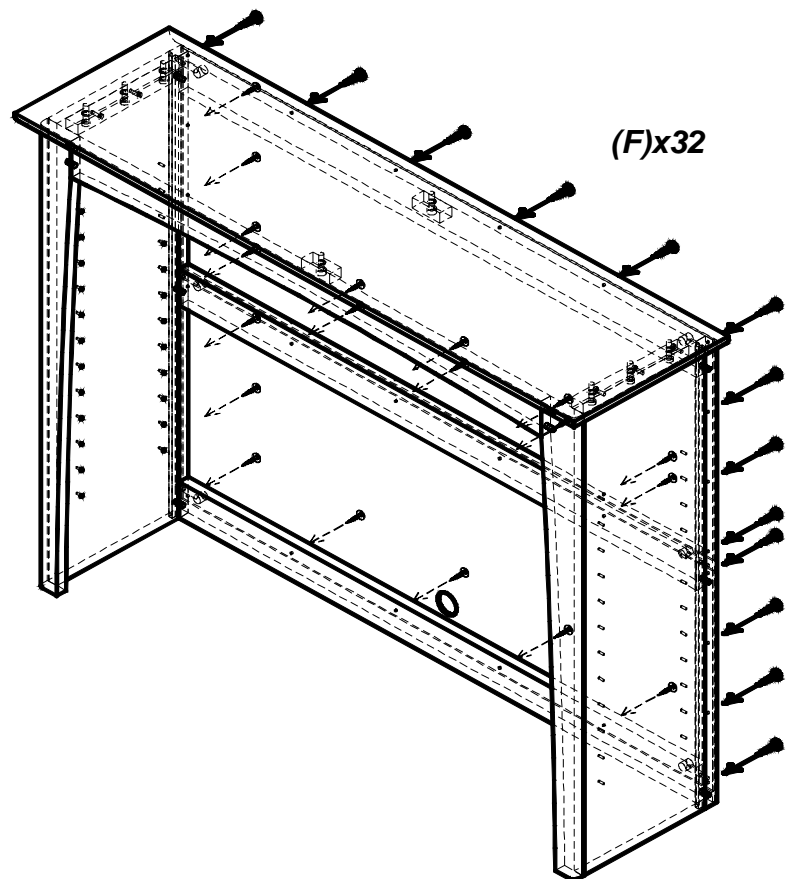
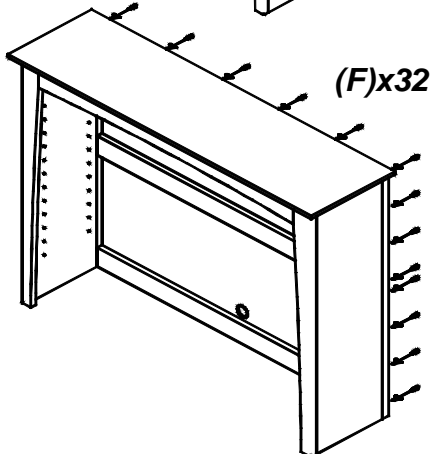
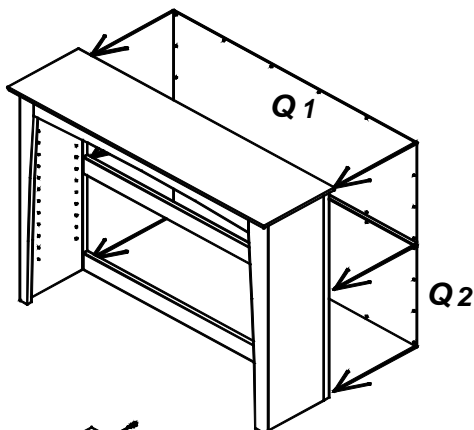


Middle Front



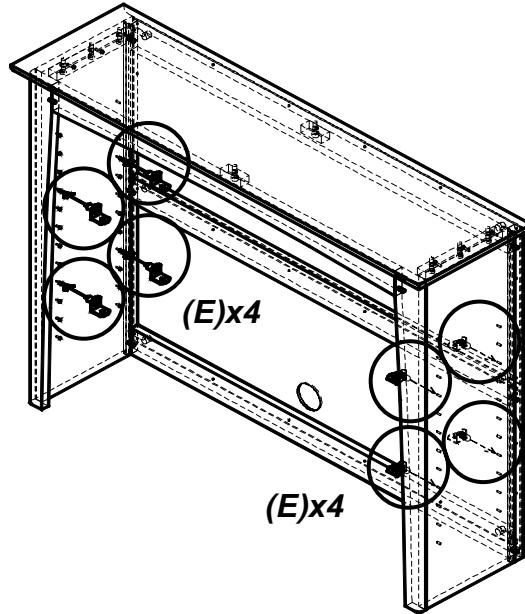
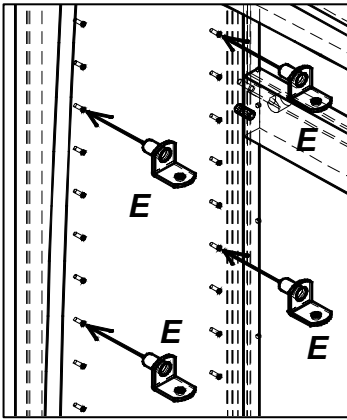
Middle Back

**Hutch** Step **4** Attaching back panel

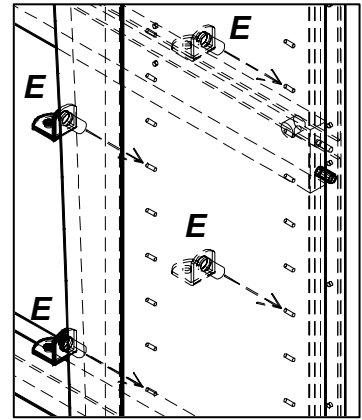


**Hutch** Step **5** Insert shelf pins to the desired shelf position

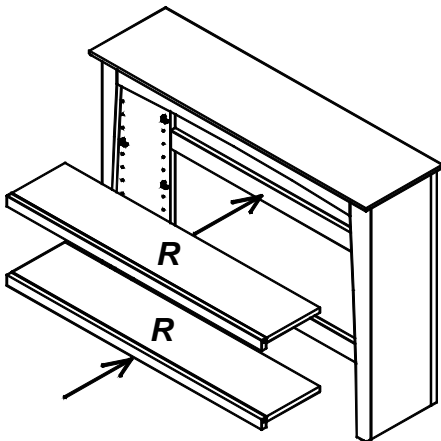
Left



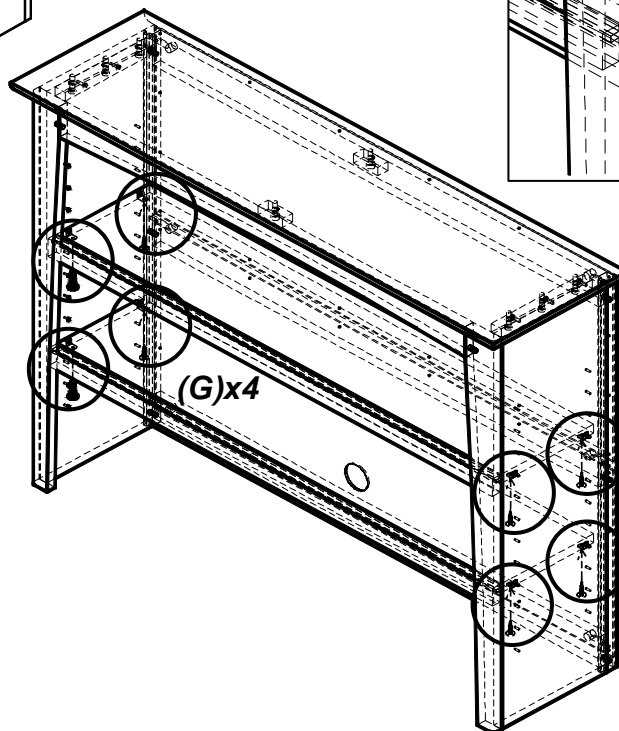
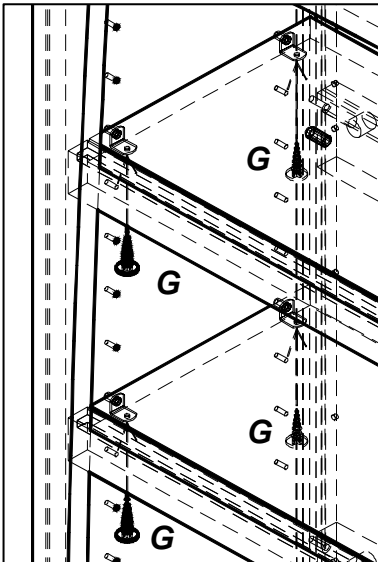
Right



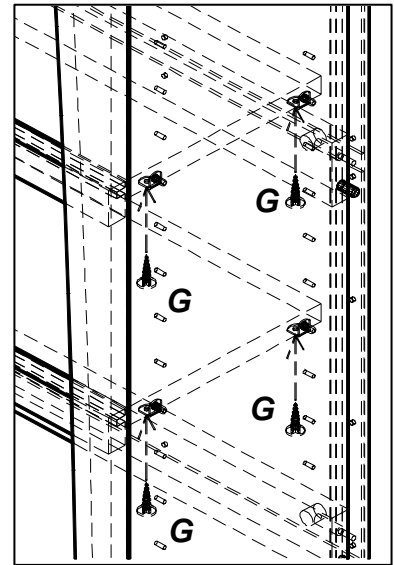
**Hutch** Step **6** Place shelves on shelf pins and attach screws to secure the shelves on the shelf pins

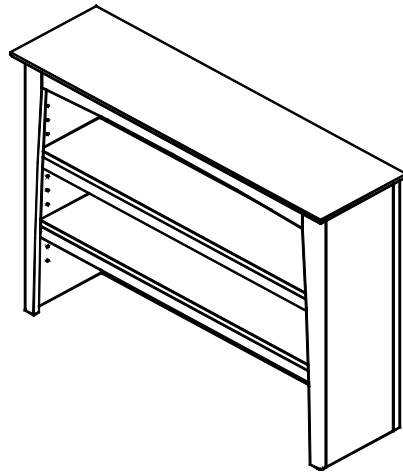


Left



Right

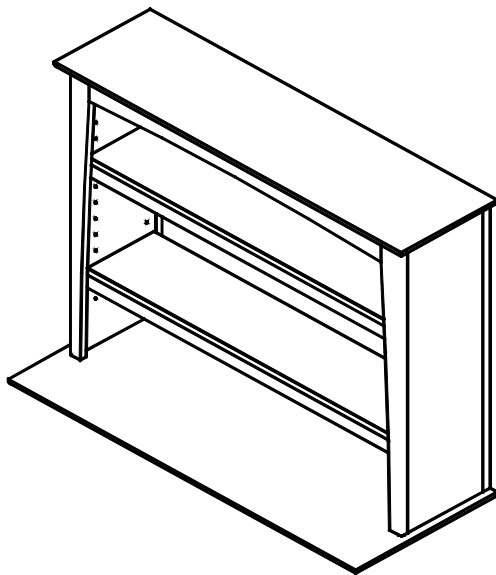
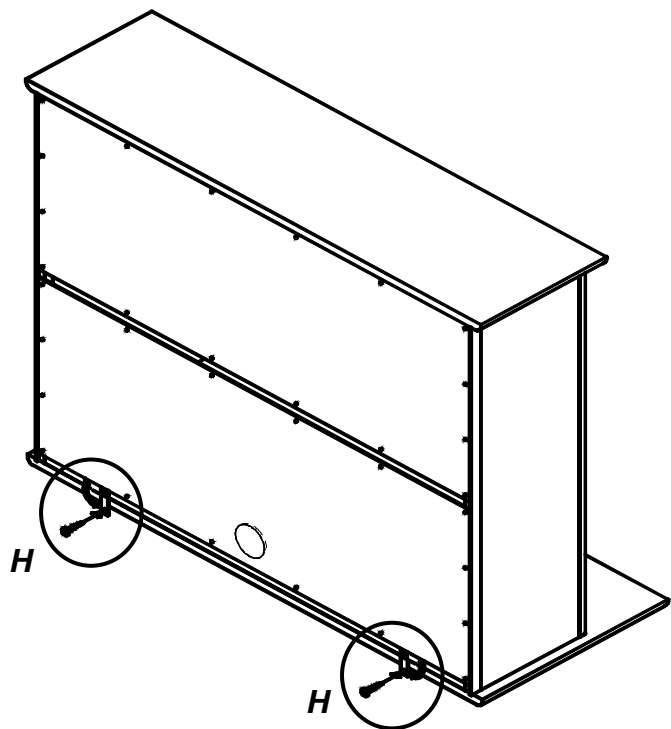
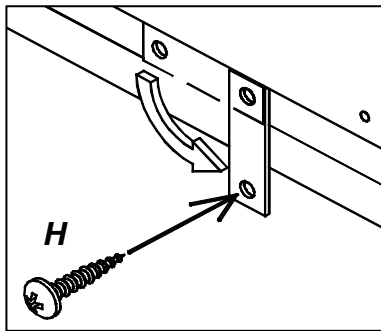




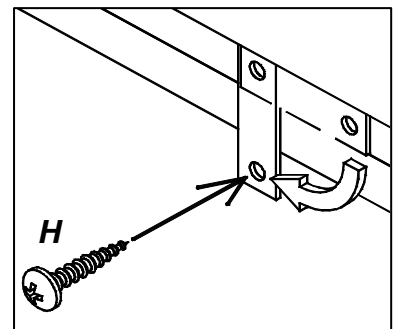
**Assembled Hutch**

## **Hutch** Securing Hutch to Double Dresser

**Left**



**Right**



## **CARE AND MAINTENANCE**

- When cleaning your furniture, please use a non-toxic, non-abrasive cleaner. Mix a solution of water with a small amount of mild dishwashing liquid. Apply to furniture surface with a soft, damp cloth lightly dampened in solution. After cleaning, dry completely with a soft, dry cloth.