



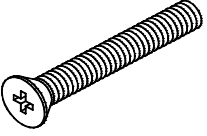
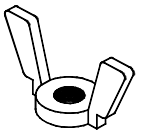
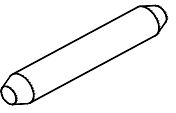

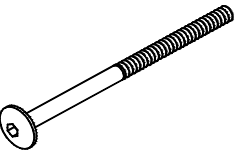
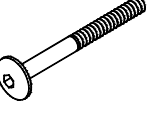

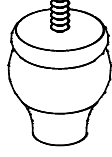

Pali Design, Inc.
 1525 Hymus Boul.
 Dorval, PQ
 H9P-1J5 Canada
 Phone: 1-514-421-0309
 e-mail info@paliitaly.com
 www.paliitaly.com

Assembly Instructions

West Point Crib

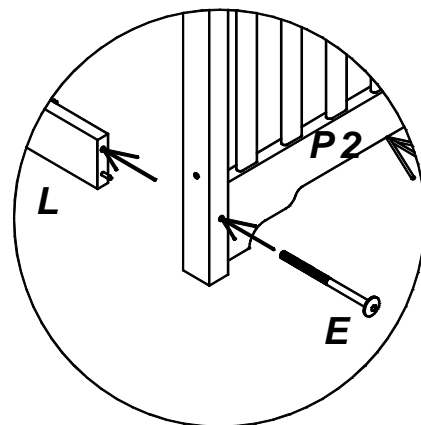
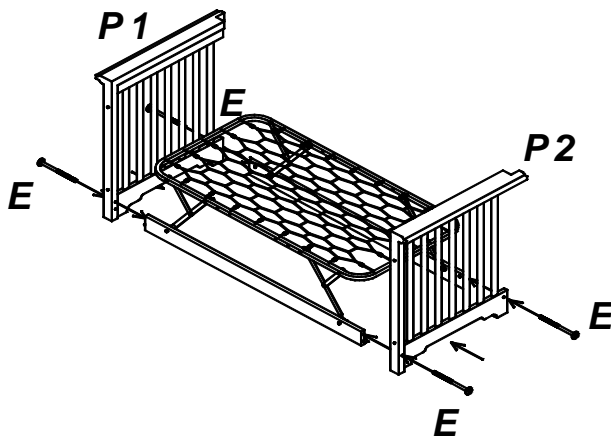
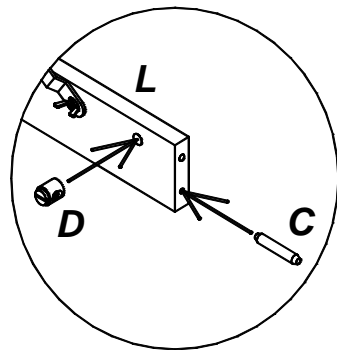
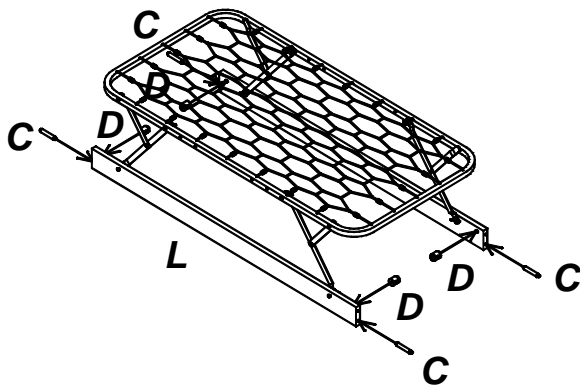
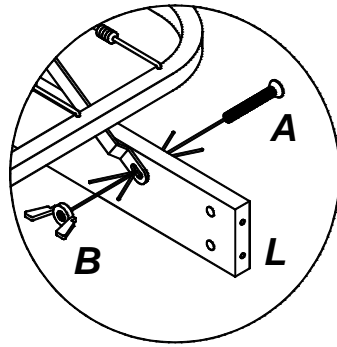
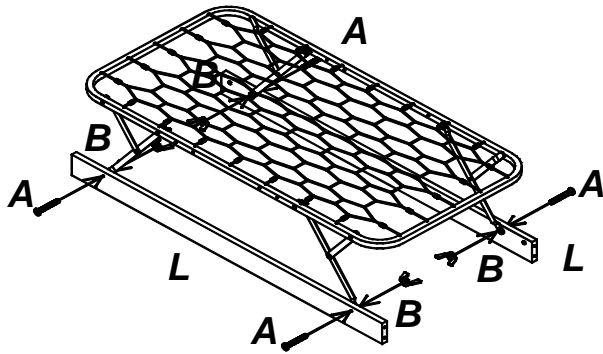
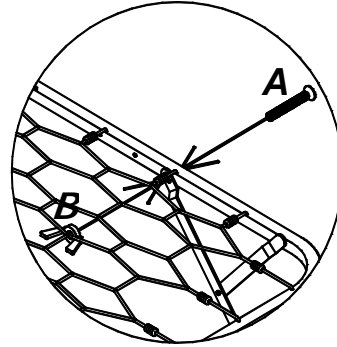
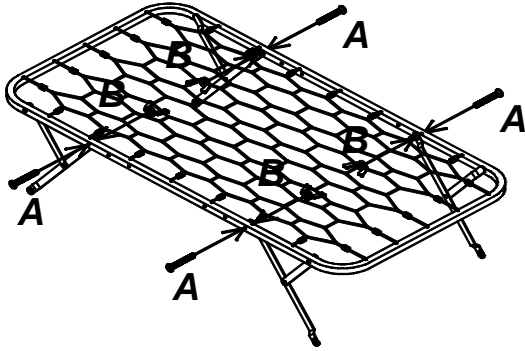
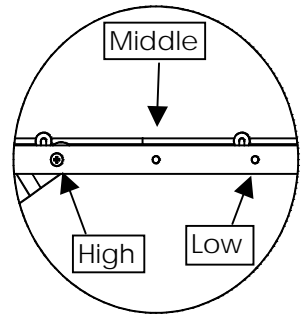


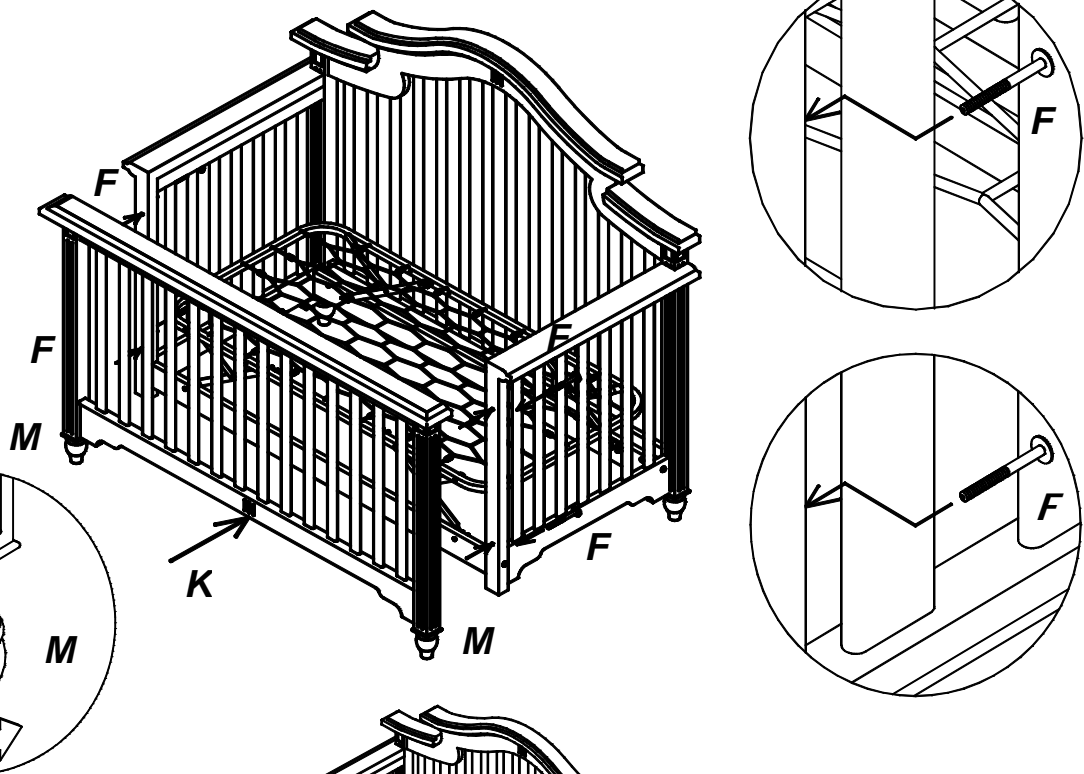
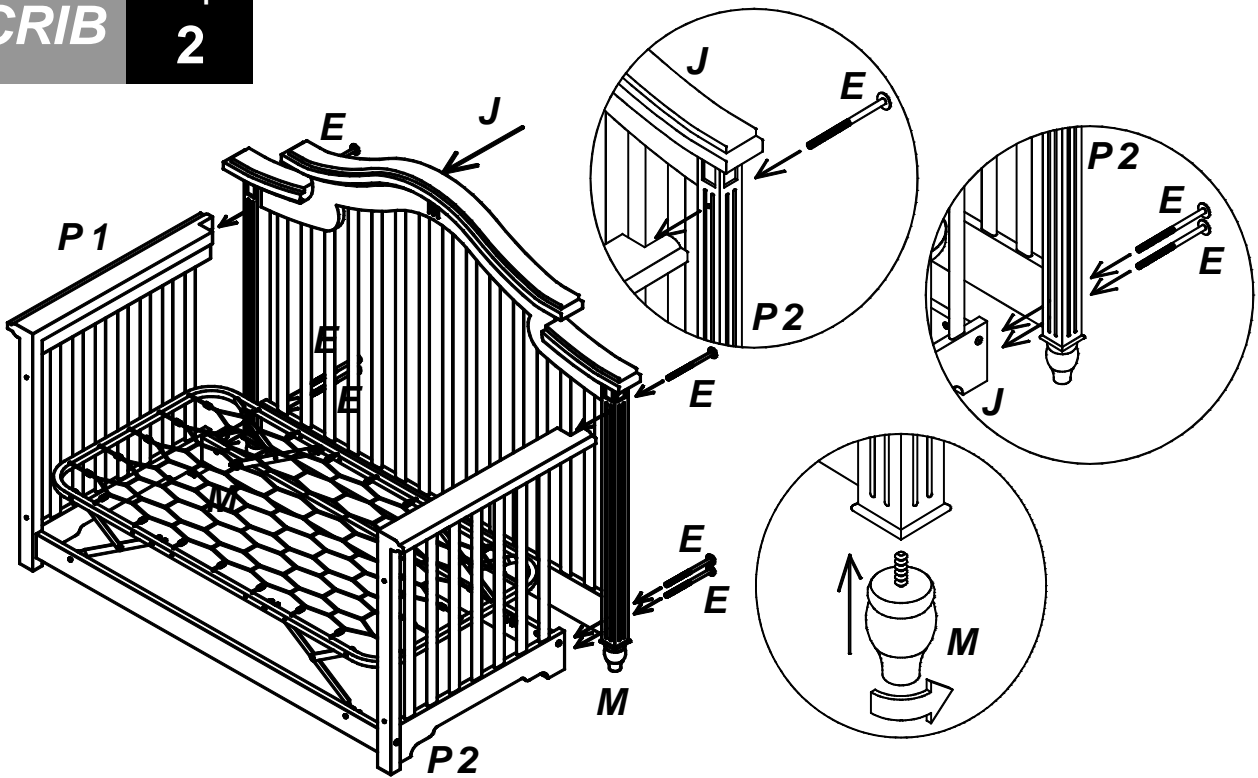
This crib has been designed for your child's comfort and your convenience. Quality material and workmanship have gone into this crib which will provide a sound and comfortable bed for your baby if properly assembled and maintained. For the security of your child and your own peace of mind be sure to follow the assembly instructions exactly. A periodic check should be made of all bolts and screws, which should be tightened if needed. Moisture and heat are harmful to the finish; for this reason use extreme caution when vaporizer is in use. The vapor steam should always be aimed away from the crib as well as away from other wood furniture. Some types of soft plastic toys could damage the finish when placed against it.

<p>A Phillips Head Screw</p> <p>8x</p> 	<p>B Wing Nut</p> <p>8x</p> 	<p>C Wood Dowel</p> <p>4x</p> 	<p>D KD Bolt Nut</p> <p>4x</p> 
<p>E Large Allenhead Bolt (80 mm)</p> <p>10x</p> 	<p>F Small Allenhead Bolt (60 mm)</p> <p>8x</p> 	<p>G Allen Wrench</p> <p>1x</p> 	<p>M Feet</p> <p>4x</p> 
<p>Crib Parts List:</p> <ul style="list-style-type: none"> 1 Mattress Support (H) 2 Ends (P1 + P2) 1 Headboard (J) 1 Footboard (K) 2 Stabilizer Bars (L) 	<p>Tools Needed for Assembly:</p>  <p>IMPORTANT: In order to properly assemble the crib, carry out the operations in the order specified. Failure to assemble the crib in the manner recommended could make the crib hazardous. Carefully remove and lay out all parts. Familiarize yourself with all diagrams to facilitate the assembly of your crib. Check parts enclosed in hardware bag with the HARDWARE PARTS LIST to be sure all are included and quantities are correct.</p>	<p>INSTRUCTION LEAFLET</p> <p>Important, keep for future reference. Read carefully.</p>	

Assembling Crib

- This crib has three mattress support positions for use in your baby's first months.
- As soon as baby starts to sit up you must use the lowest mattress support position.
- To assemble the crib with the high mattress support position see Step 1.
- When using the crib as a toddler bed, remove the Footboard (K) and the lower mattress support position must be used.





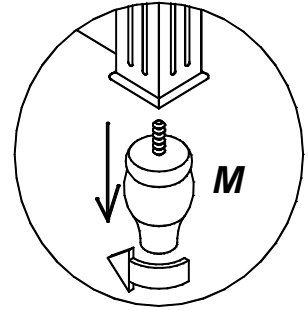
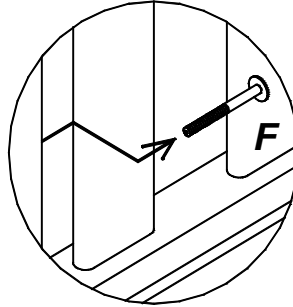
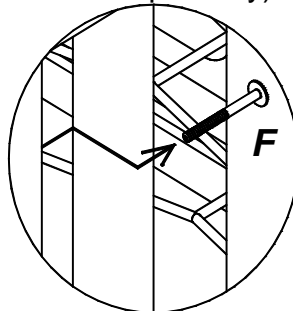
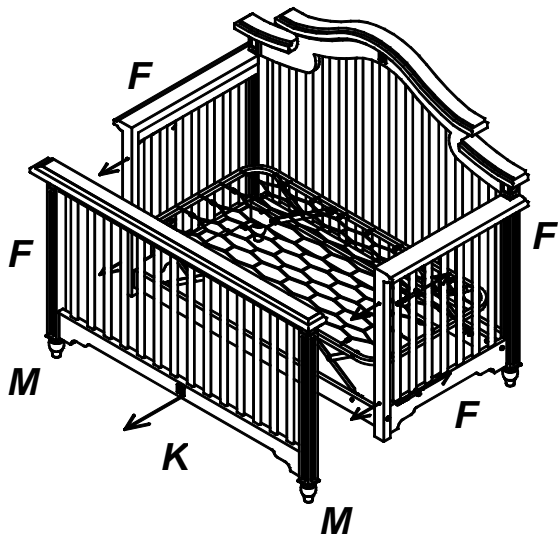
Crib

Toddler
BED

Step
1

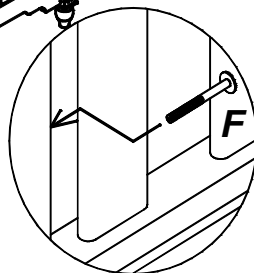
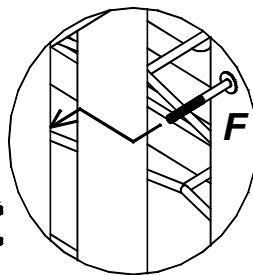
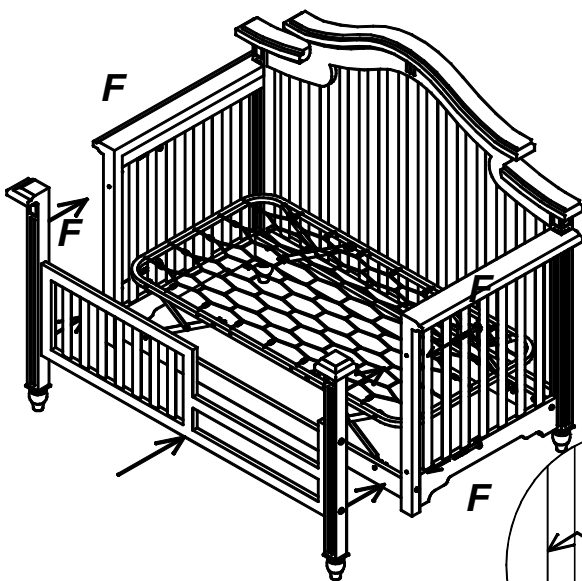
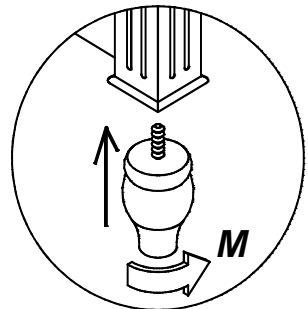
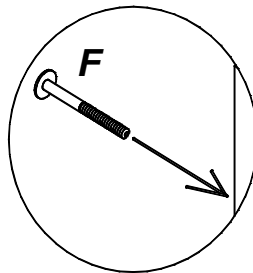
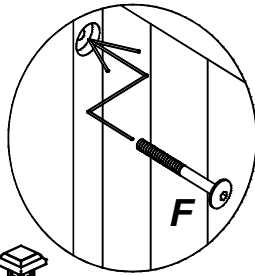
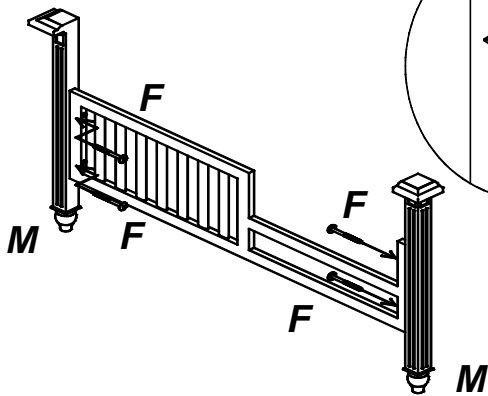
Transforming Crib into a Toddler Bed

(Toddler Rail Conversion Kit sold separately)



Toddler
BED

Step
2



Toddler Bed

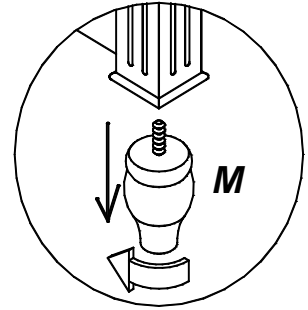
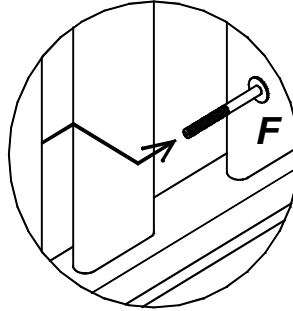
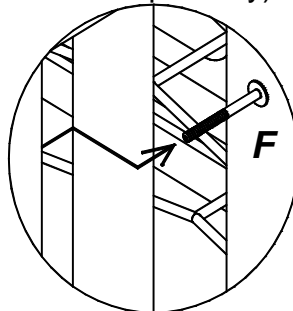
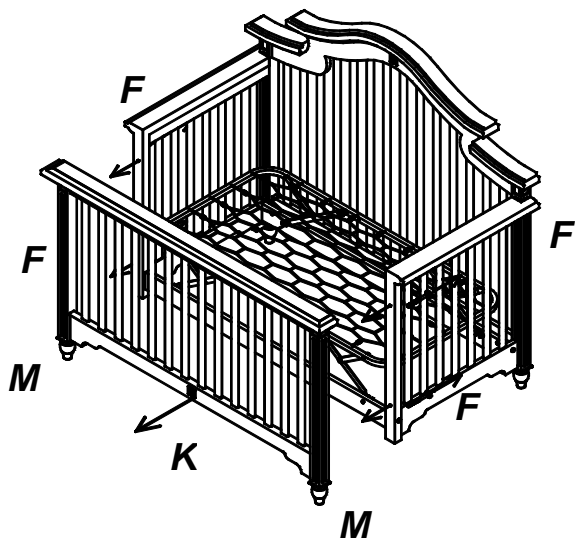


Day
BED

Step
1

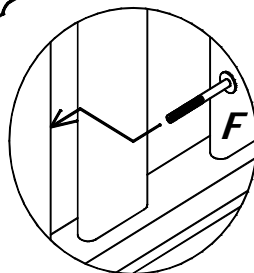
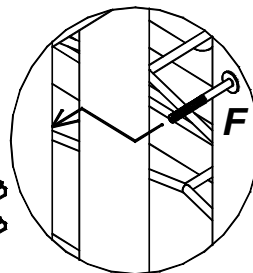
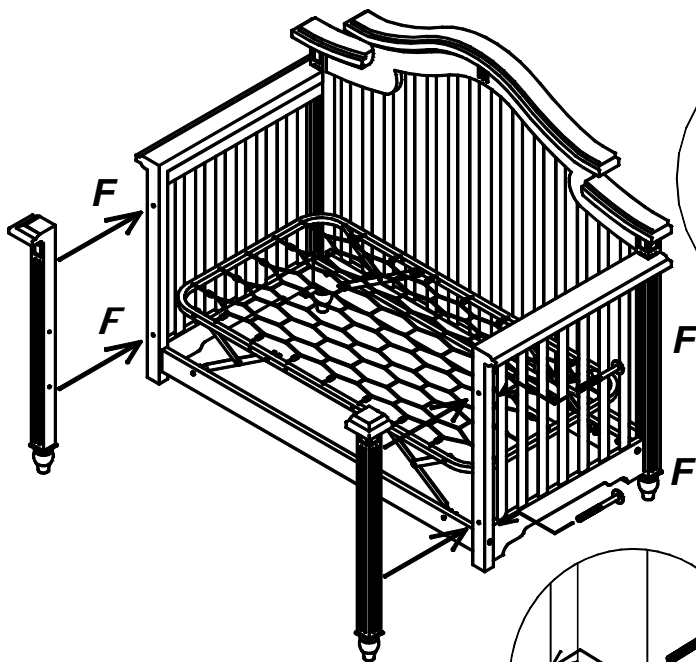
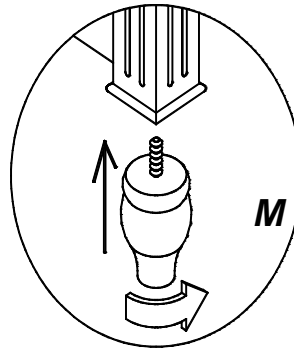
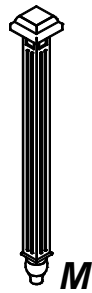
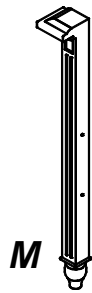
Transforming Crib into a Day Bed

(Toddler Rail Conversion Kit sold separately)



Day
BED

Step
2



Day Bed



WARNING STATEMENTS



- Failure to follow these warnings and assembly instructions could result in serious injury or death
- Read all instructions before assembling crib and **KEEP INSTRUCTIONS FOR FUTURE USE**
- Before each usage or assembly, inspect crib for damaged hardware, loose joints, missing parts or sharp edges. Upon completion of assembly be sure all screws, bolts and fastening devices have been tightened securely. A frequent check should be made during the use of the crib to make sure all parts remain tight and secure.
- **DO NOT** use if any parts are missing or broken. Ask your dealer or write to Pali Design Inc., 1525 Hymus Boul., Dorval, PQ, H9P-1J5 Canada for replacement parts and instructional literature if needed. **DO NOT** substitute parts
- When a child is able to climb out or reaches the height of 35 inches (90cm), the crib shall no longer be used
- **DO NOT** place crib near a window where cords from blinds or drapes may strangle a child
- If you refinish this crib use a non-toxic finish specified for children's products
- **DO NOT** use a water mattress
- Any mattress used in this crib must be at least 27 1/4 inches (69cm) wide x 51 5/8 inches (131cm) long with a thickness not exceeding 6 inches (15cm)
- After raising side, make sure latches are secure
- Strings can cause strangulation! **DO NOT** place items with a string around a child's neck, such as hood strings or pacifier cords. **DO NOT** suspend strings over a crib or attach strings to toys.
- **DO NOT** leave child in crib with side lowered. Be sure side is in raised and locked position whenever child is in crib
- When child is able to pull to standing position, set mattress to lowest position and remove bumper pads, large toys and other objects that could serve as steps for climbing out
- Never use plastic shipping bags or other plastic film as mattress covers because they can cause suffocation

TODDLER BED WARNING STATEMENTS



- Failure to follow these warnings and assembly instructions could result in serious injury or death from entrapment or strangulation
- **DO NOT** place bed near windows where cords from blinds or drapes may strangle a child
- The mattress intended for use on the bed shall be a full-size crib mattress having the dimensions of 51 5/8" (1310mm) in length and 27 1/4" (690mm) in width and thickness of 4" (100mm) or a greater thickness as specified by the manufacturer
- The minimum age of the intended user shall not be less than 15 months and the maximum weight shall not be greater than 50 lbs. (22.7 kg)

CARE AND MAINTENANCE



- When cleaning your crib, please use a non-toxic, non-abrasive cleaner. Mix a solution of water with a small amount of mild dishwashing liquid. Apply to crib surface with a soft, damp cloth lightly dampened in solution. After cleaning, dry completely with a soft, dry cloth.