



Pali Design, Inc.
1525 Hymus Boul.
Dorval, PQ
H9P-1J5 Canada

Phone: 1-514-421-0309
e-mail info@paliitaly.com
www.paliitaly.com

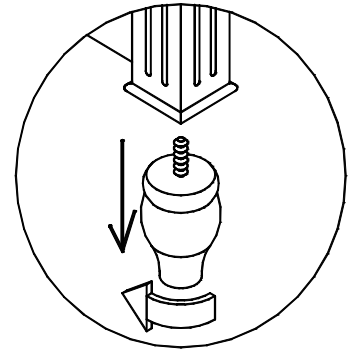
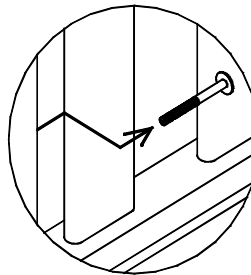
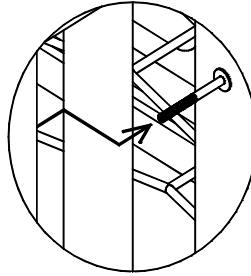
Assembly Instructions

West Point Toddler Rail Conversion Kit

Toddler
BED

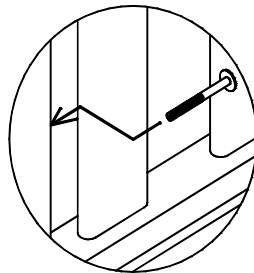
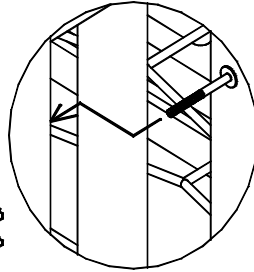
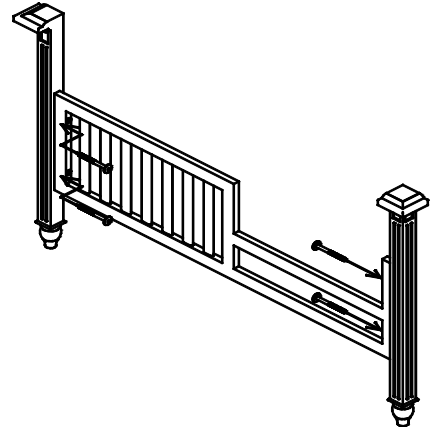
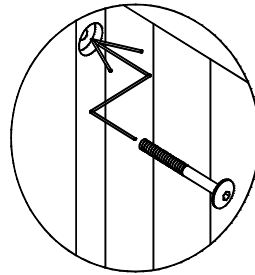
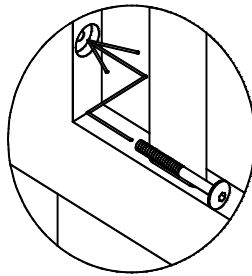
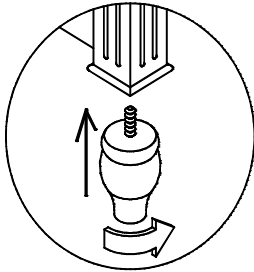
Step
1

Transforming Crib into a Toddler Bed



Toddler
BED

Step
2



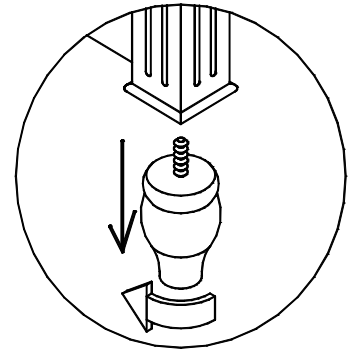
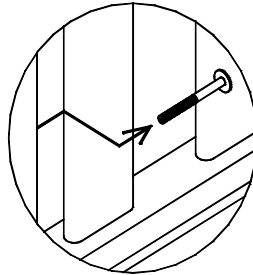
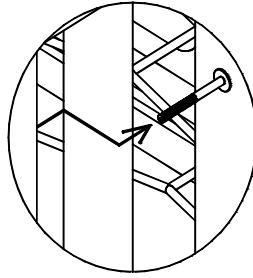
Toddler Bed



Day
BED

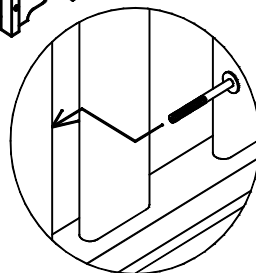
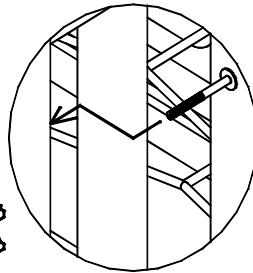
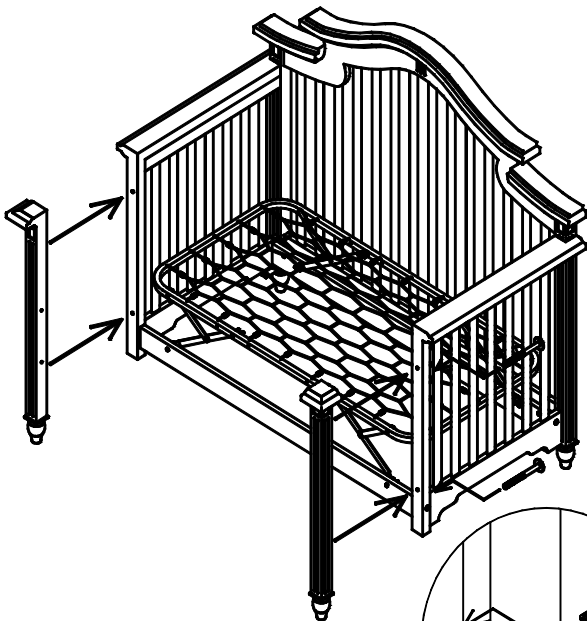
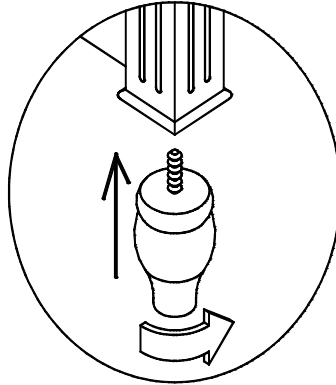
Step
1

Transforming Crib into a Day Bed



Day
BED

Step
2



Day Bed



WARNING STATEMENTS



- Failure to follow these warnings and assembly instructions could result in serious injury or death
- Read all instructions before assembling crib and **KEEP INSTRUCTIONS FOR FUTURE USE**
- Before each usage or assembly, inspect crib for damaged hardware, loose joints, missing parts or sharp edges. Upon completion of assembly be sure all screws, bolts and fastening devices have been tightened securely. A frequent check should be made during the use of the crib to make sure all parts remain tight and secure.
- **DO NOT** use if any parts are missing or broken. Ask your dealer or write to Pali Design Inc., 1525 Hymus Boul., Dorval, PQ, H9P-1J5 Canada for replacement parts and instructional literature if needed. **DO NOT** substitute parts
- When a child is able to climb out or reaches the height of 35 inches (90cm), the crib shall no longer be used
- **DO NOT** place crib near a window where cords from blinds or drapes may strangle a child
- If you refinish this crib use a non-toxic finish specified for children's products
- **DO NOT** use a water mattress
- Any mattress used in this crib must be at least 27 1/4 inches (69cm) wide x 51 5/8 inches (131cm) long with a thickness not exceeding 6 inches (15cm)
- After raising side, make sure latches are secure
- Strings can cause strangulation! **DO NOT** place items with a string around a child's neck, such as hood strings or pacifier cords. **DO NOT** suspend strings over a crib or attach strings to toys.
- **DO NOT** leave child in crib with side lowered. Be sure side is in raised and locked position whenever child is in crib
- When child is able to pull to standing position, set mattress to lowest position and remove bumper pads, large toys and other objects that could serve as steps for climbing out
- Never use plastic shipping bags or other plastic film as mattress covers because they can cause suffocation

TODDLER BED WARNING STATEMENTS



- Failure to follow these warnings and assembly instructions could result in serious injury or death from entrapment or strangulation
- **DO NOT** place bed near windows where cords from blinds or drapes may strangle a child
- The mattress intended for use on the bed shall be a full-size crib mattress having the dimensions of 51 5/8" (1310mm) in length and 27 1/4" (690mm) in width and thickness of 4" (100mm) or a greater thickness as specified by the manufacturer
- The minimum age of the intended user shall not be less than 15 months and the maximum weight shall not be greater than 50 lbs. (22.7 kg)

CARE AND MAINTENANCE



- When cleaning your crib, please use a non-toxic, non-abrasive cleaner. Mix a solution of water with a small amount of mild dishwashing liquid. Apply to crib surface with a soft, damp cloth lightly dampened in solution. After cleaning, dry completely with a soft, dry cloth.